

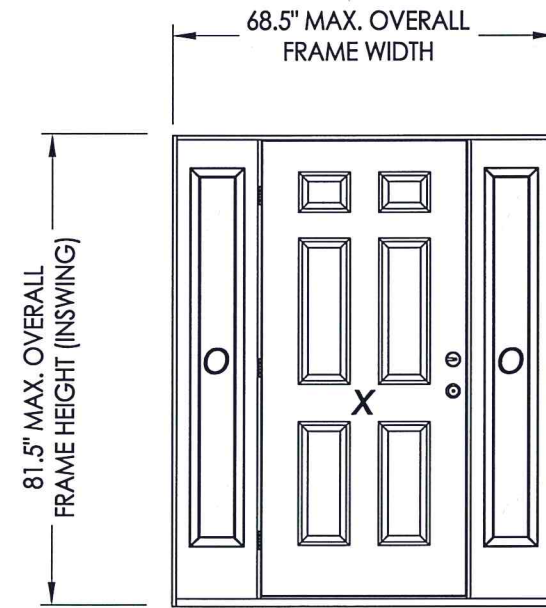
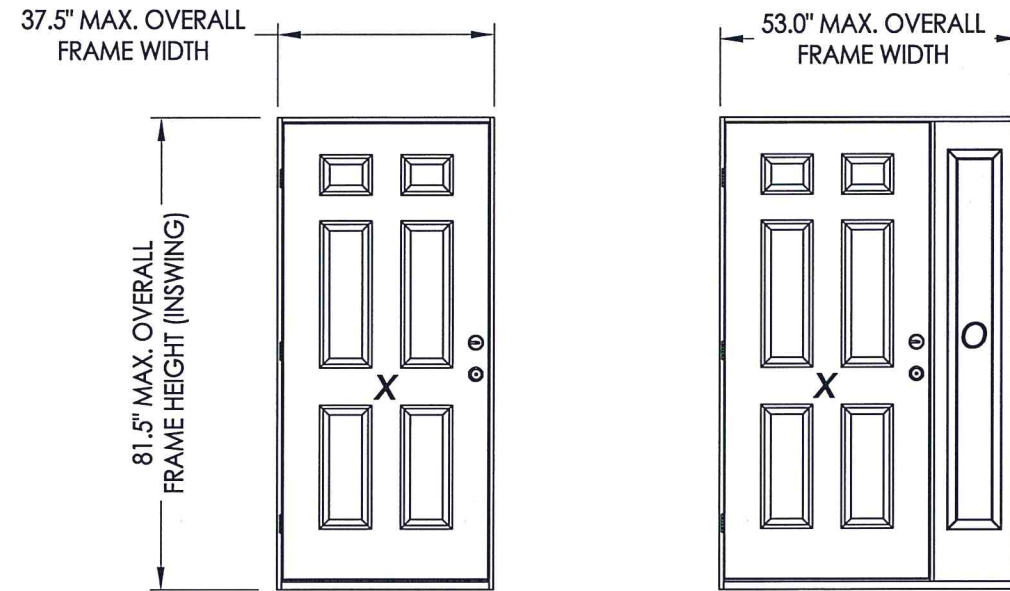


# OPAQUE STEEL ENTRY DOOR SINGLES w/ or w/out SIDELITES

**IN SWING  
"NON-IMPACT"**

### GENERAL NOTES

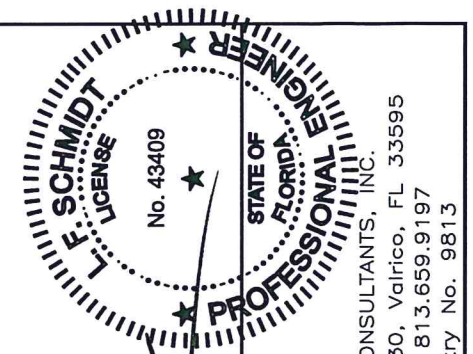
1. This product has been evaluated and is in compliance with the 7th Edition (2020) Florida Building Code (FBC) structural requirements excluding the "High Velocity Hurricane Zone" (HVHZ).
2. Product anchors shall be as listed and spaced as shown on details. Anchor embedment to base material shall be beyond wall dressing or stucco.
3. When used in areas requiring wind borne debris protection, this product is required to be protected with an impact resistant covering that complies with FBC Sections 1609.1.2 & R301.2.1.2.
4. For 2x stud framing construction, anchoring of these units shall be the same as that shown for 2x buck masonry construction.
5. Site conditions that deviate from the details of this drawing require further engineering analysis by a licensed engineer or registered architect.



**CONTINUOUS HEAD & SILL**

CONFIGURATION	MAX. FRAME DIMENSION	INTEGRAL MULLION WIDTH	DESIGN PRESSURE (PSF) IN SWING	
			POSITIVE	NEGATIVE
X	37.5" x 81.5"	N/A	+50.0	-55.0
OX/XO	52.125" x 81.5"	1.625"	+30.0	-40.0
	53.0" x 81.5"	2.5"	+30.0	-40.0
OXO	66.75" x 81.5"	1.625"	+30.0	-40.0
	68.5" x 81.5"	2.5"	+30.0	-40.0

TABLE OF CONTENTS	
SHEET #	DESCRIPTION
1	Typical Elevations, Design Pressures & General Notes
2	Door Panel Details & Glazing Details
3	Sidelite Panel Details
4	Elevations
5	Horizontal & Vertical Cross Sections (2X Buck)
6	Horizontal & Vertical Cross Sections (1X Buck)
7	Horizontal & Vertical Cross Sections (Direct to Masonry)
8	Horizontal Cross Sections
9	Vertical Cross Sections
10	Buck Anchoring
11	Frame Anchoring & Hardware Details
12	Bill of Materials & Components



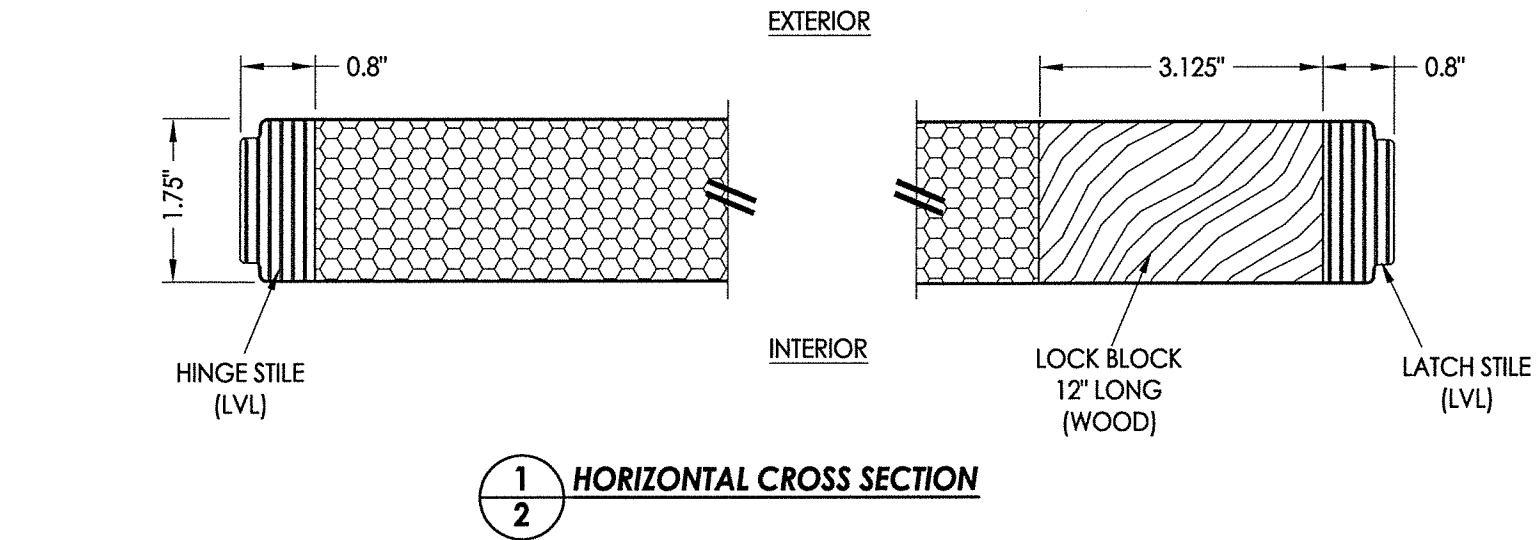
August 6, 2020  
 Documents Prepared By:  
 Lyndon F. Schmidt  
 P.E. No. 43409  
 BUILDING CONSULTANTS, INC.  
 P.O. Box 230, Valrico, FL 33595  
 Phone No.: 813.659.9197  
 FBPE Registry No. 9813

PRODUCT:	DOORSCAPES STEEL DOOR
PART OR ASSEMBLY:	TYPICAL ELEVATION, DESIGN PRESSURES & GENERAL NOTES
DATE	8/06/20
UPDATE TO	7TH ED. (2020) FBC
NO.	1
BY	LFS
REVISIONS	
DATE:	1/21/19
SCALE:	N.T.S.
DWG. BY:	MT
CHK. BY:	LFS
DRAWING NO.:	FL-28832.1
SHEET	1 OF 12

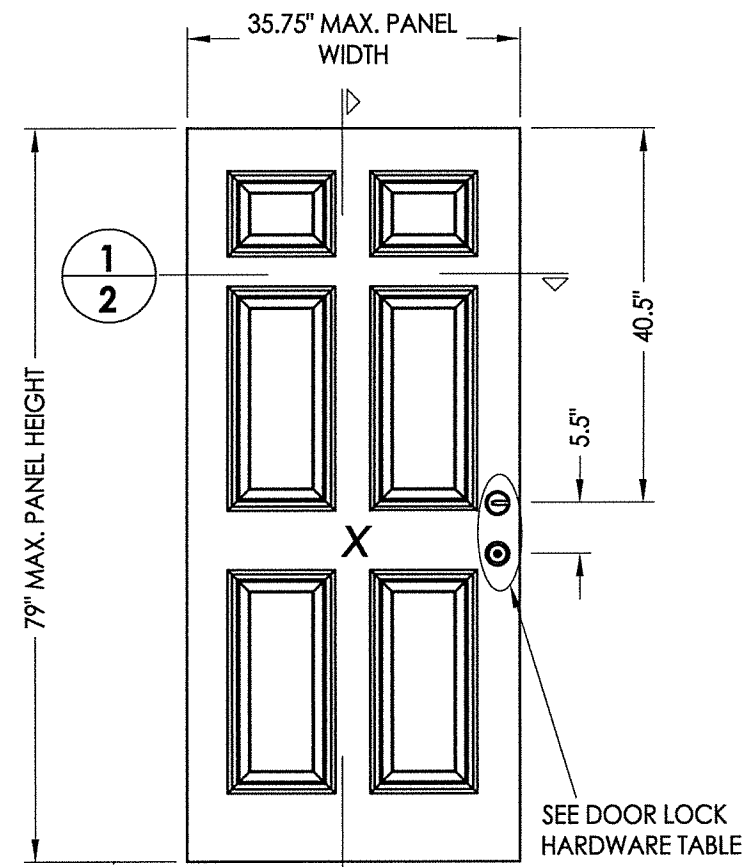
R:\Clients\Doorscapes\VA - Florida Product Approvals\FL-28832 (Steel Door)\C - Drawings\FL-28832.1-2.dwg, FL-28832.1

© 2019 R.W. BUILDING CONSULTANTS INC.

R:\Clients\DoorScapes\A - Florida Product Approvals\FL-28832 (Steel Door)\C - Drawings\FL-28832 (2020)\FL28832.1-2.dwg, 2.1



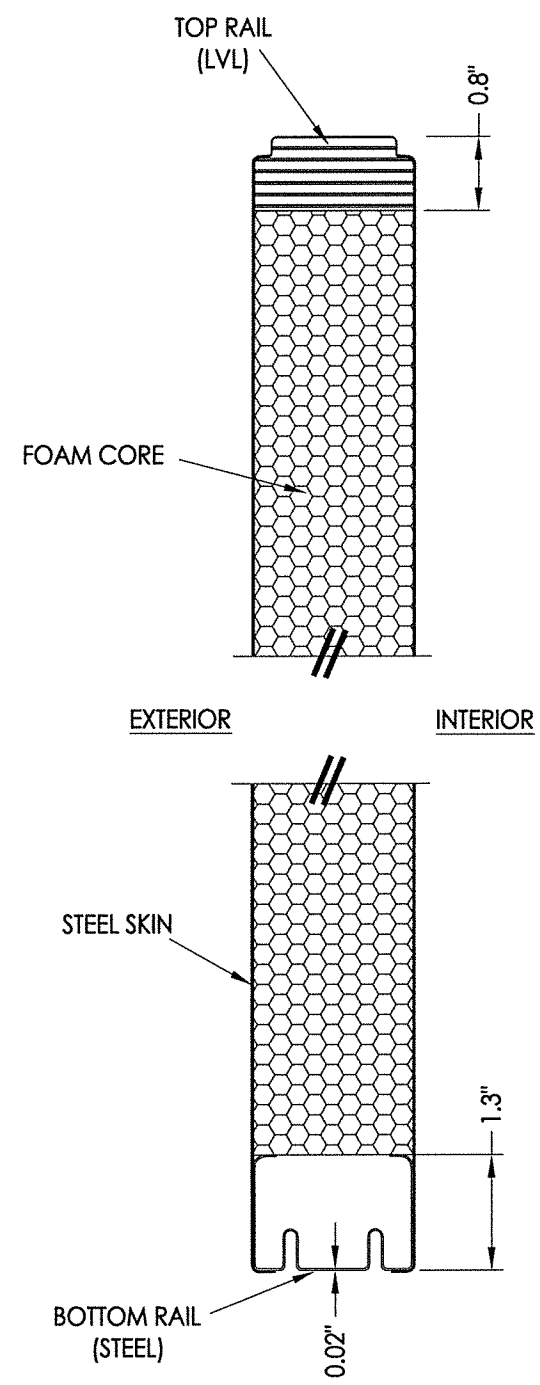
**1**  
**2** HORIZONTAL CROSS SECTION



**2**  
**2**  
**40** DOOR PANEL  
DoorScapes

HARDWARE TABLE	
MANUFACTURER	MODEL
YALE	KNOB: YE SERIES (10) DEADBOLT: YE SERIES (82E)

STEEL SKIN: 0.020" MIN. THK.  
FOAM CORE: POLYSTYRENE - 2 PCF MIN.

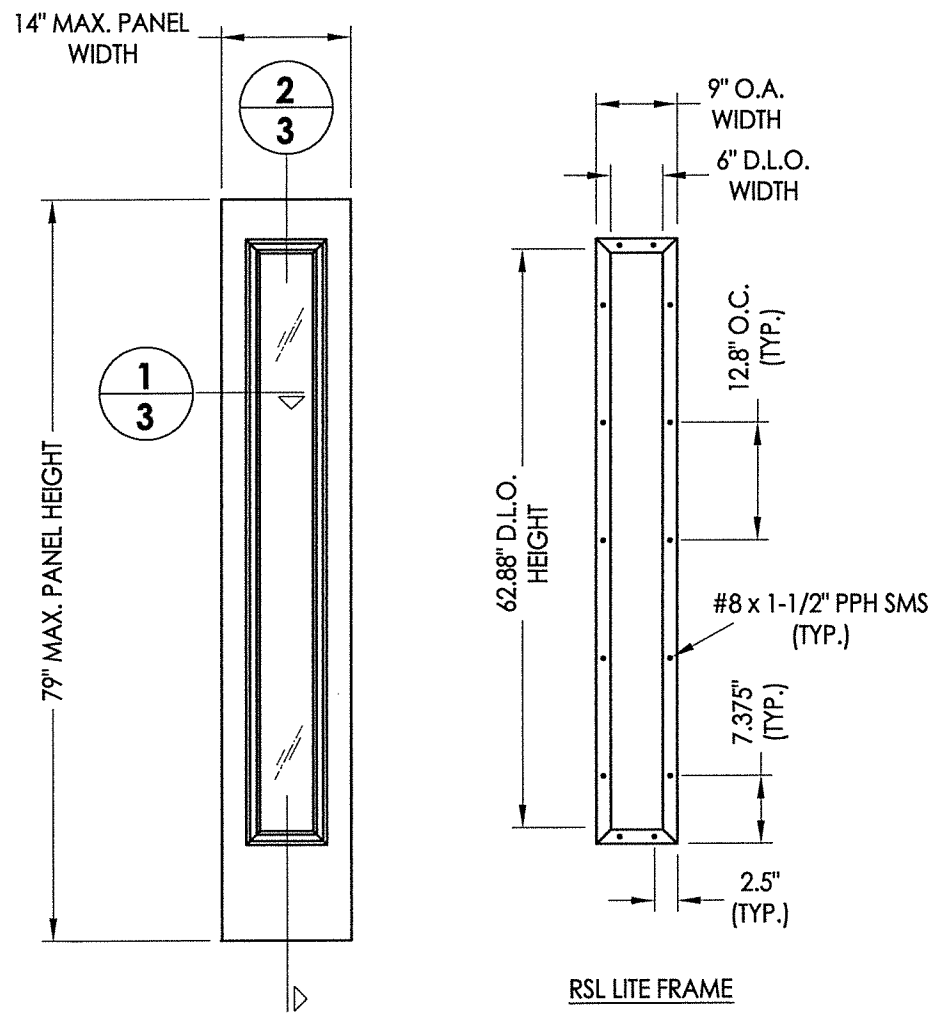
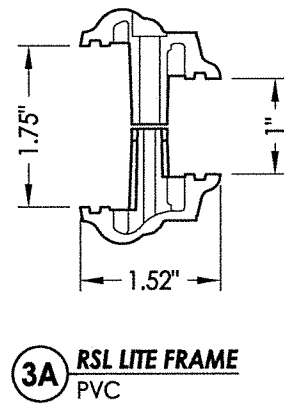
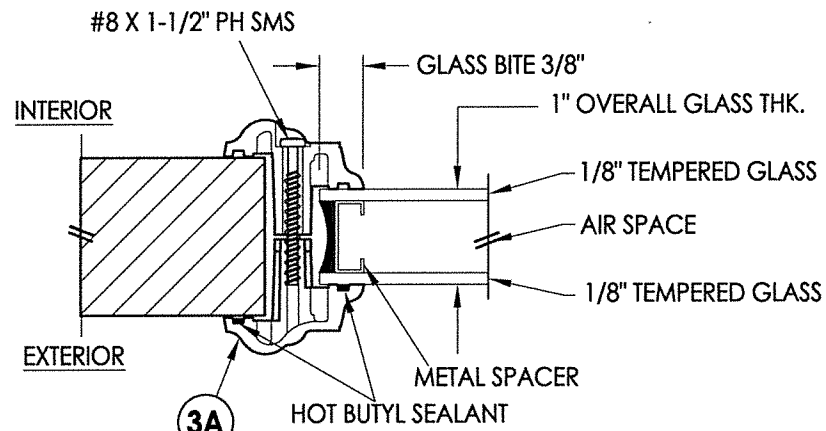
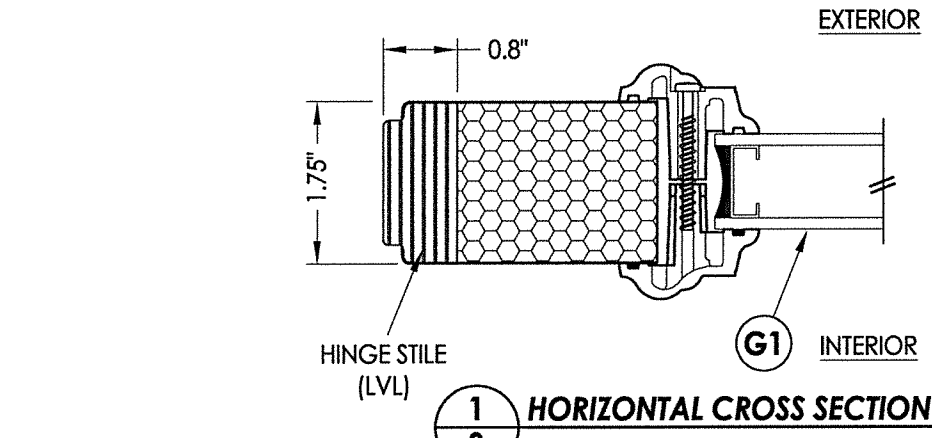


**2**  
**2** VERTICAL CROSS SECTION

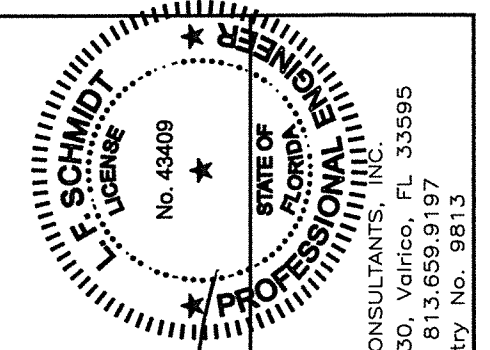
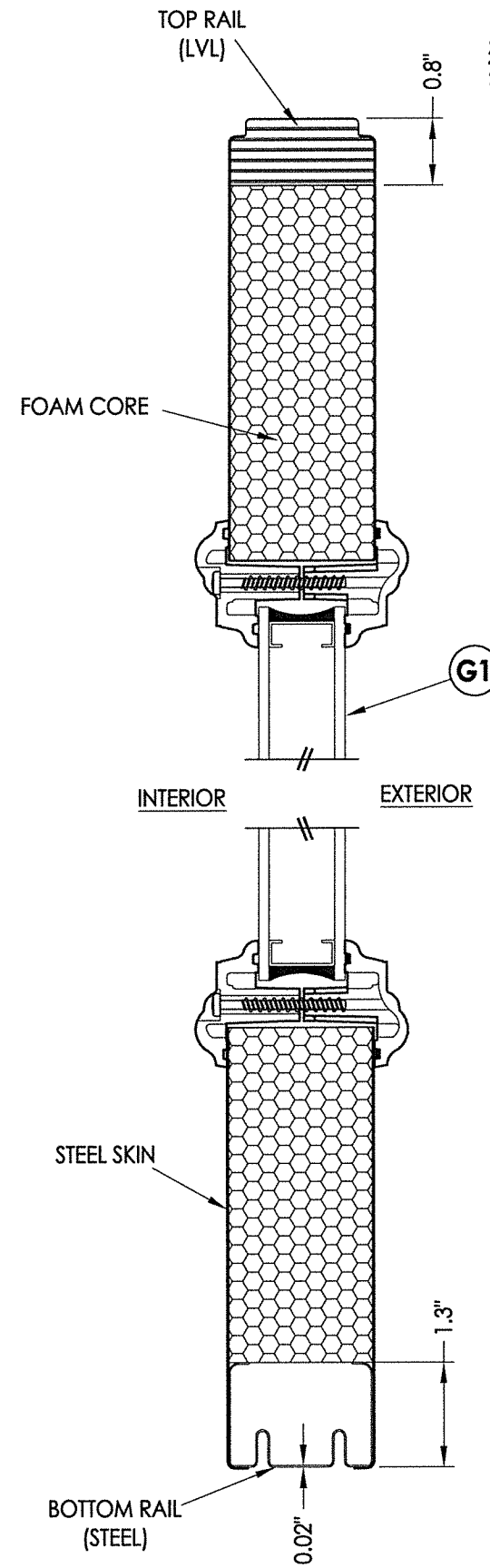
August 6, 2020  
 Documents Prepared By:  
 Lyndon F. Schmidt  
 P.E. No. 43409  
 BUILDING CONSULTANTS, INC.  
 P.O. Box 230, Valrico, FL 33595  
 Phone No.: 813.659.9197  
 FBPE Registry No. 9813

PRODUCT:	DOORSCAPES STEEL DOOR
PART OR ASSEMBLY:	DOOR PANEL DETAILS & GLAZING DETAILS
DATE:	1/21/19
SCALE:	N.T.S.
DWG. BY:	MT
CHK. BY:	LFS
DRAWING NO.:	FL-28832.1
SHEET	2 OF 12

R:\Clients\Doorscapes\A - Florida Product Approvals\FL-28832 (Steel Door)\C - Drawings\FL-28832 (2020)\FL28832.1-2.dwg, 3.1

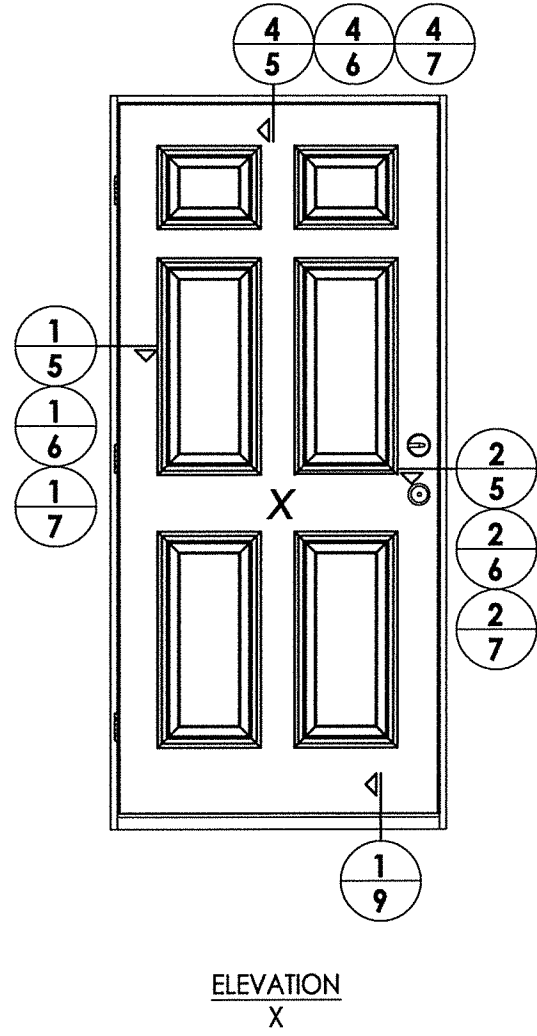


STEEL SKIN: 0.020" MIN. THK.  
FOAM CORE: POLYSTYRENE - 2 PCF MIN.

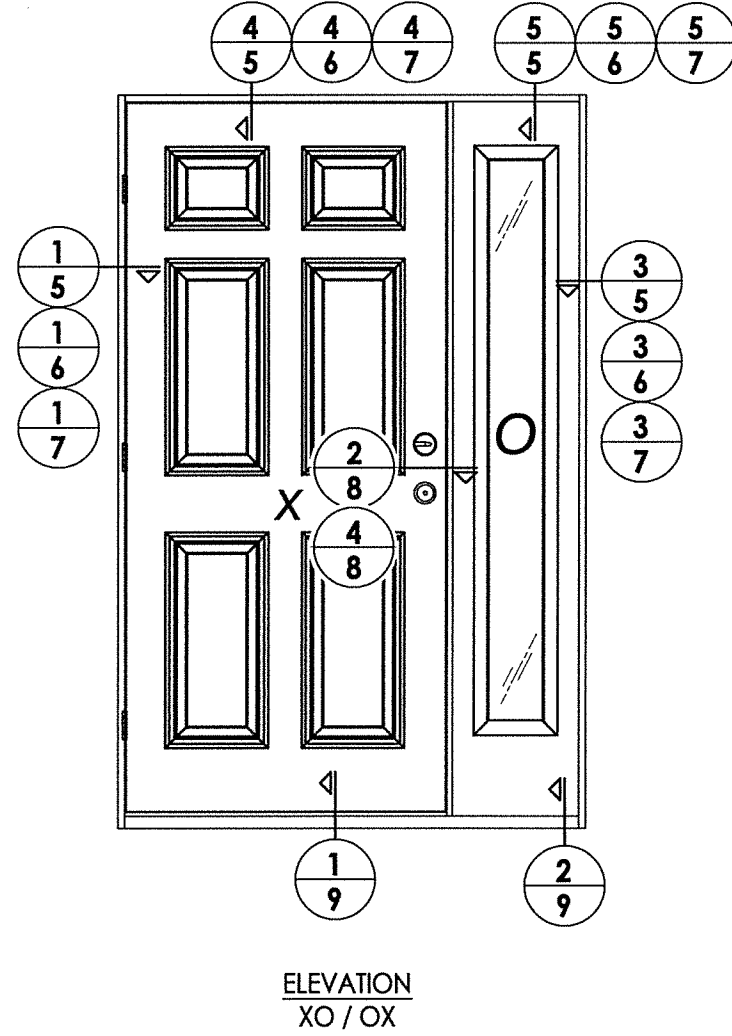


August 6, 2020  
Documents Prepared By:  
Lyndon F. Schmidt  
P.E. No. 43409  
R.W.  
BUILDING CONSULTANTS, INC.  
P.O. Box 230, Valrico, FL 33595  
Phone No.: 813.659.9197  
FBPE Registry No. 9813

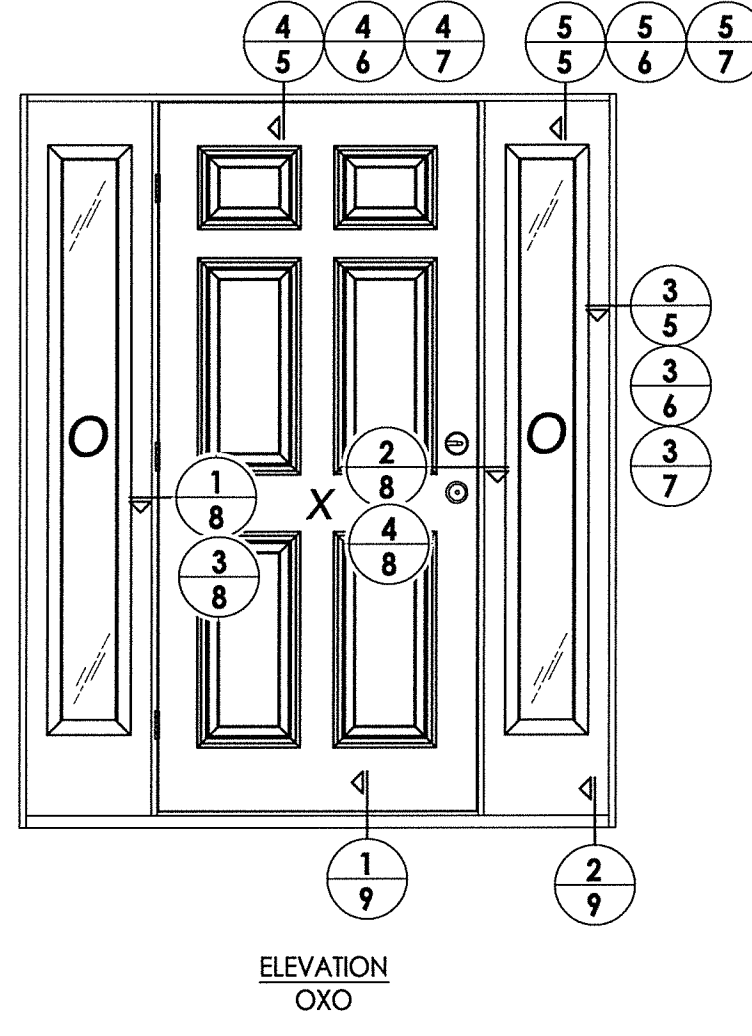
PRODUCT: DOORSCAPES STEEL DOOR		PART OR ASSEMBLY: SIDELITE PANEL DETAILS	
NO.	DATE	BY	REVISIONS
1	8/06/20	FBC	UPDATE TO 7TH ED. (2020)
		LFS	
DATE: 1/21/19		SCALE: N.T.S.	
DWG. BY: MT		CHK. BY: LFS	
DRAWING NO.: FL-28832.1		SHEET 3 OF 12	



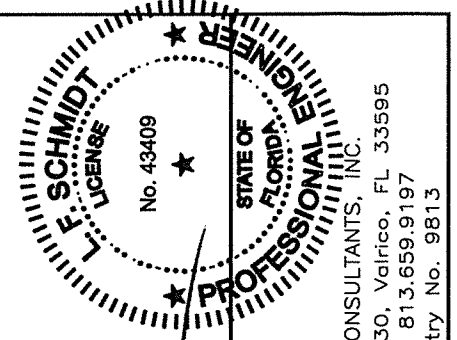
ELEVATION  
X



ELEVATION  
XO / OX



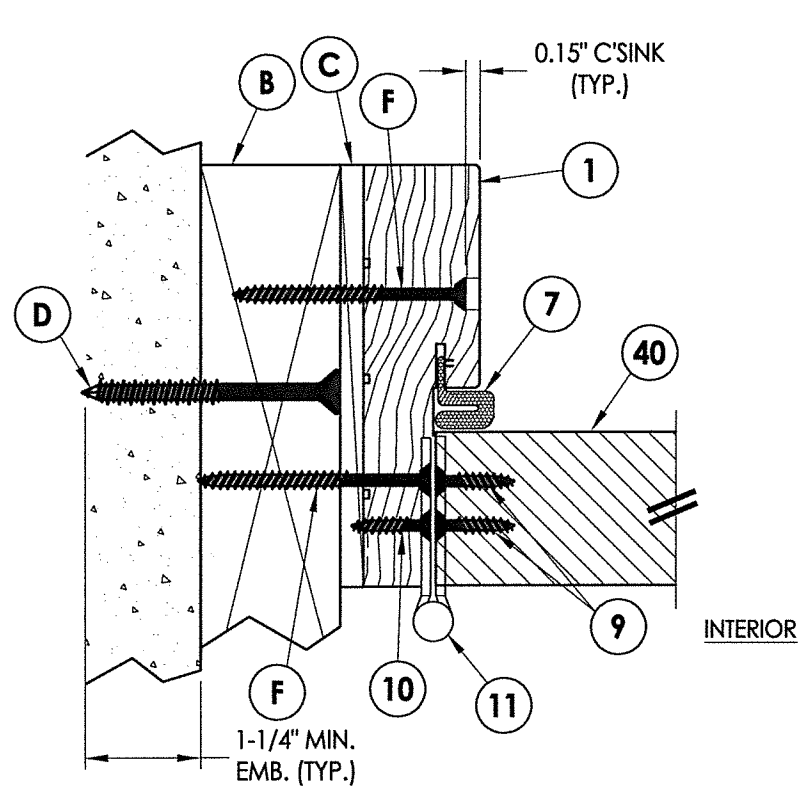
ELEVATION  
OXO



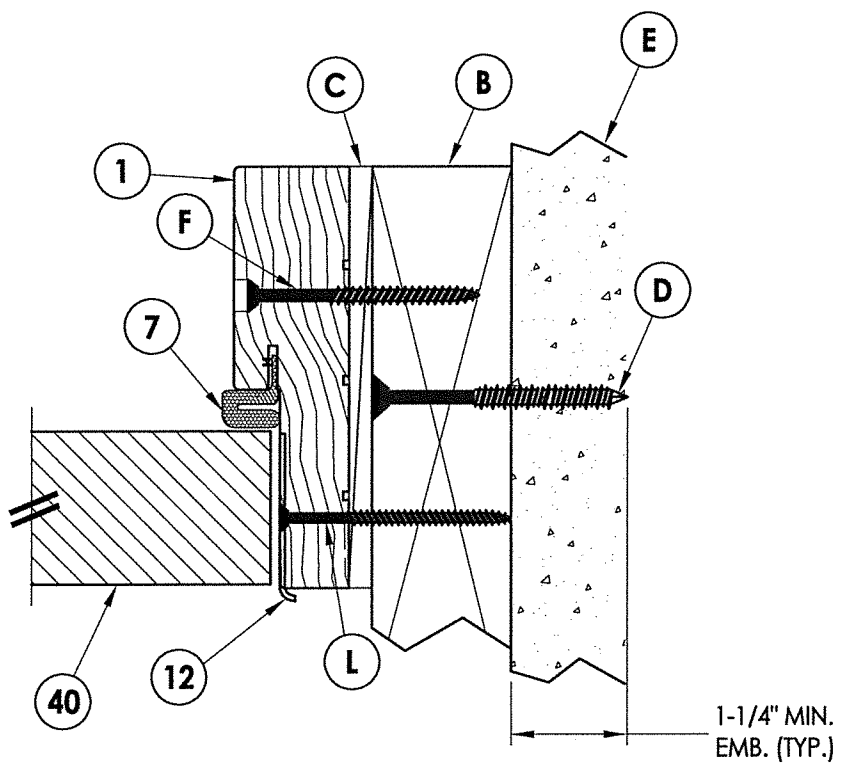
August 6, 2020  
 Documents Prepared By:  
 Lyndon F. Schmidt  
 P.E. No. 43409  
 BUILDING CONSULTANTS, INC.  
 P.O. Box 230, Valrico, FL 33595  
 Phone No.: 813.659.9197  
 FBPE Registry No. 9813

PRODUCT:		DOORSCAPES STEEL DOOR	
PART OR ASSEMBLY:		ELEVATIONS	
NO.	DATE	BY	
1	8/06/20	LFS	UPDATE TO 7TH ED. (2020) FBC
REVISIONS			
DATE:		1/21/19	
SCALE:		N.T.S.	
DWG. BY:		MT	
CHK. BY:		LFS	
DRAWING NO.:		FL-28832.1	
SHEET		4 OF 12	

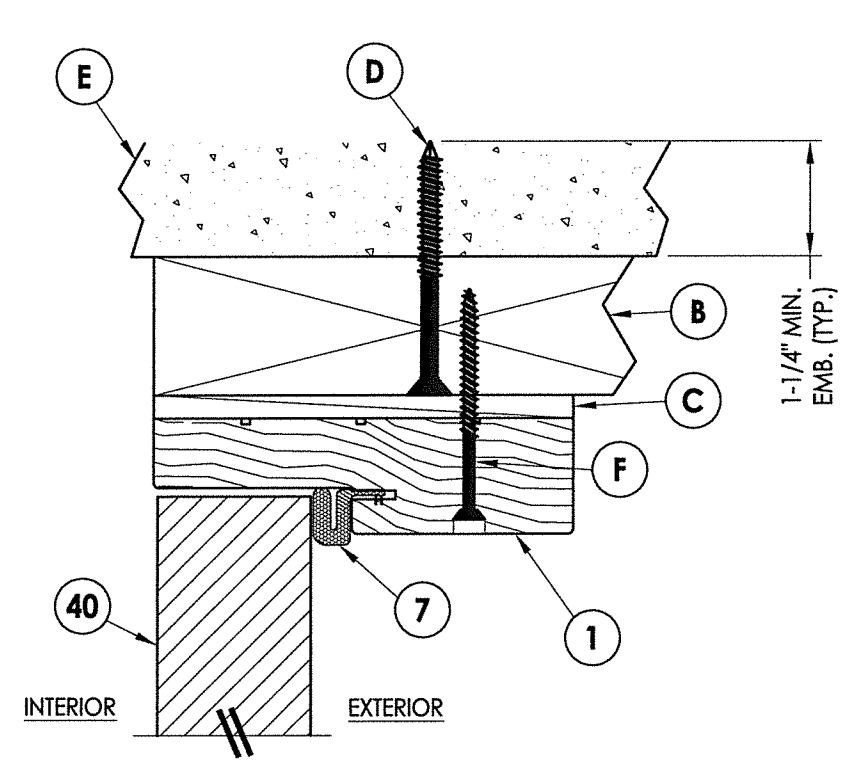
R:\Clients\DoorScapes\A - Florida Product Approvals\FL-28832 (Steel Door)\C - Drawings\FL-28832 (2020)\FL28832.1-2.dwg, 5.1



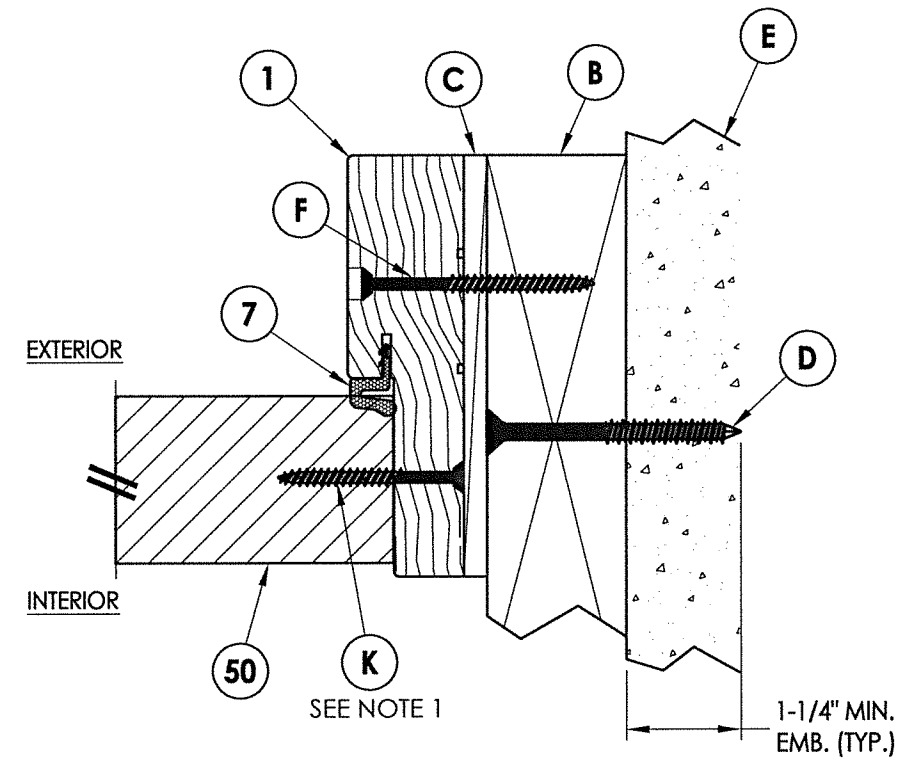
**1 HORIZONTAL CROSS SECTION**  
**5** Inswing  
 2X Buck Construction



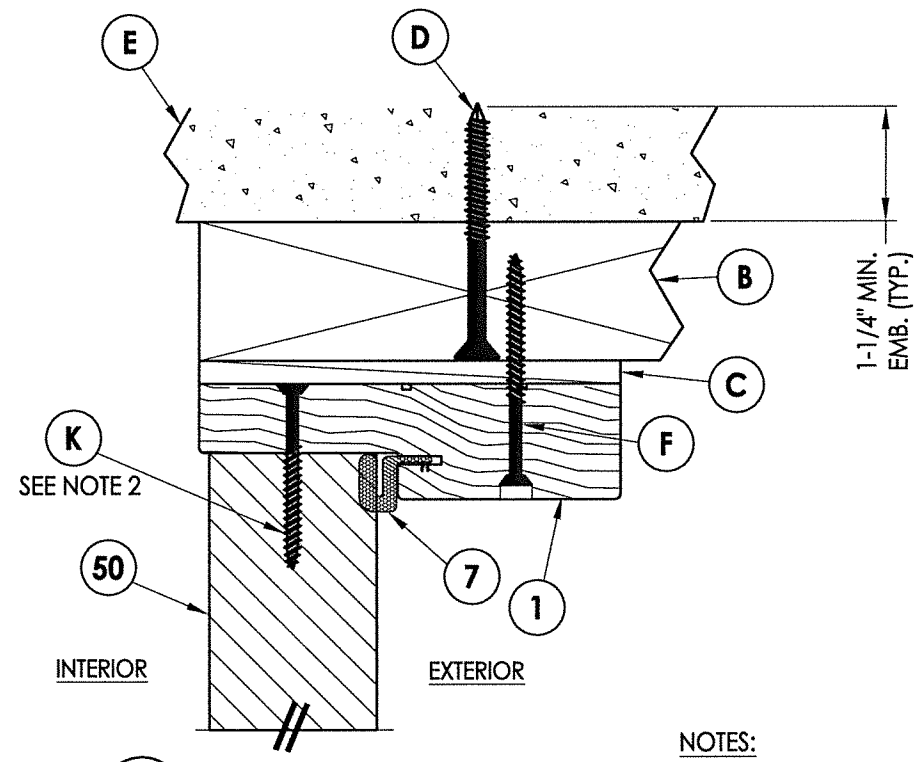
**2 HORIZONTAL CROSS SECTION**  
**5** Inswing  
 2X Buck Construction



**4 VERTICAL CROSS SECTION**  
**5** Inswing  
 2X Buck Construction

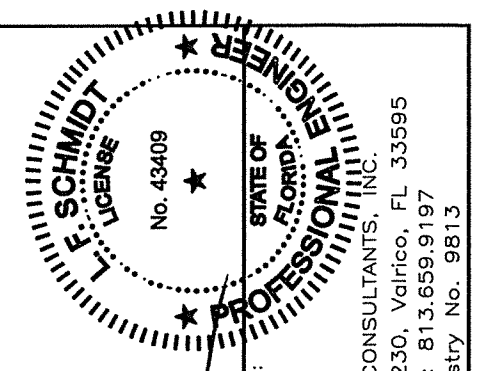


**3 HORIZONTAL CROSS SECTION**  
**5** Inswing  
 2X Buck Construction



**5 VERTICAL CROSS SECTION**  
**5** Inswing  
 2X Buck Construction

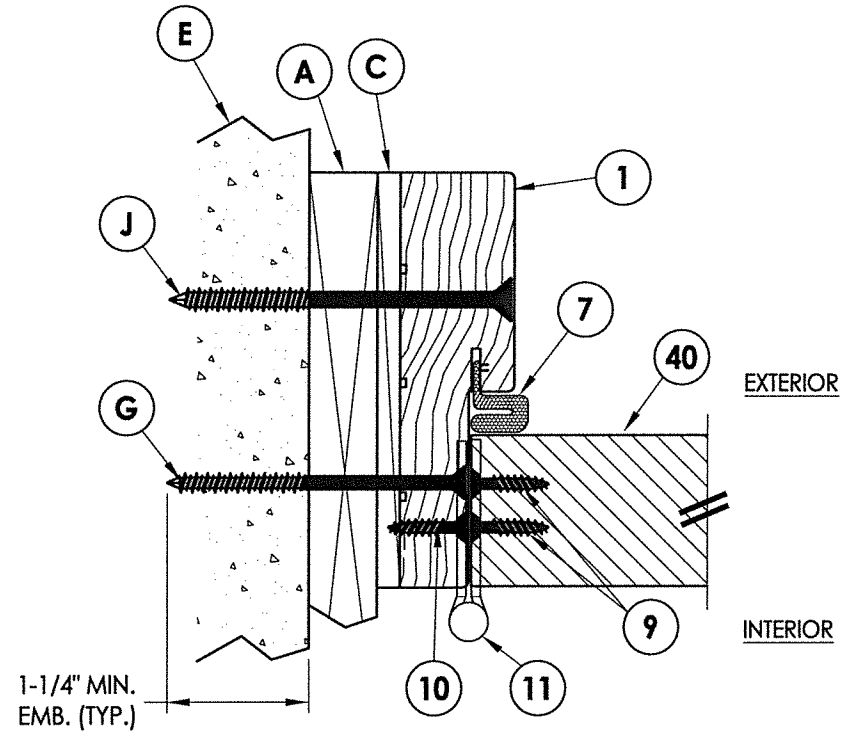
- NOTES:**
- Sidelite attached @ 6" from each end plus 4 more screws equally spaced between (6 screws total per jamb).
  - Sidelite attached @ 3" from each end (2 screws total @ head).



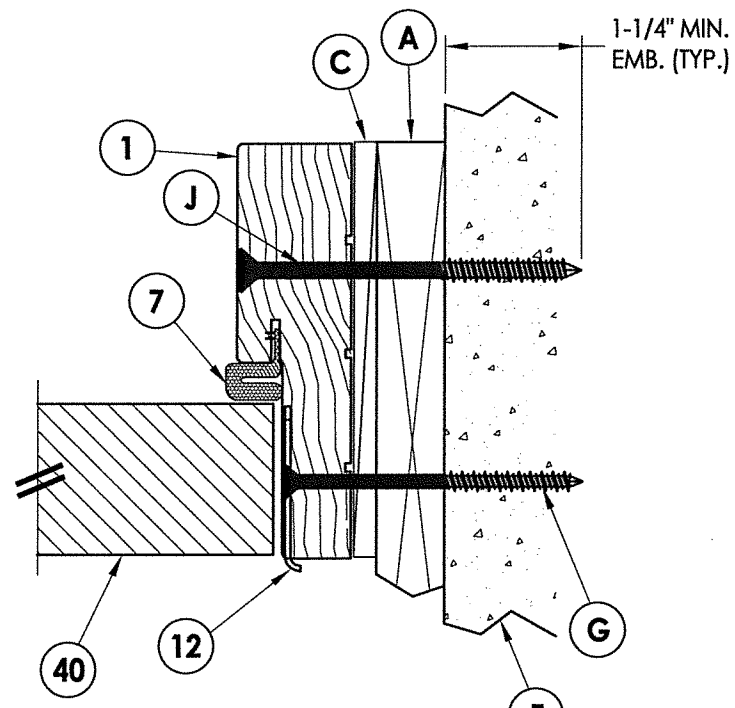
August 6, 2020  
 Documents Prepared By:  
 Lyndon F. Schmidt  
 P.E. No. 43409  
 R.W. BUILDING CONSULTANTS, INC.  
 P.O. Box 230, Valrico, FL 33595  
 Phone No.: 813.659.9197  
 FBPE Registry No. 9813

PRODUCT:		DOORSCAPES STEEL DOOR	
PART OR ASSEMBLY:		HORIZONTAL & VERTICAL CROSS SECTIONS (2X BUCK)	
NO.	DATE	BY	LFS
1	8/06/20	DATE	DATE
REVISIONS			
DATE: 1/21/19			
SCALE: N.T.S.			
DWG. BY: MT			
CHK. BY: LFS			
DRAWING NO.: FL-28832.1			
SHEET 5 OF 12			

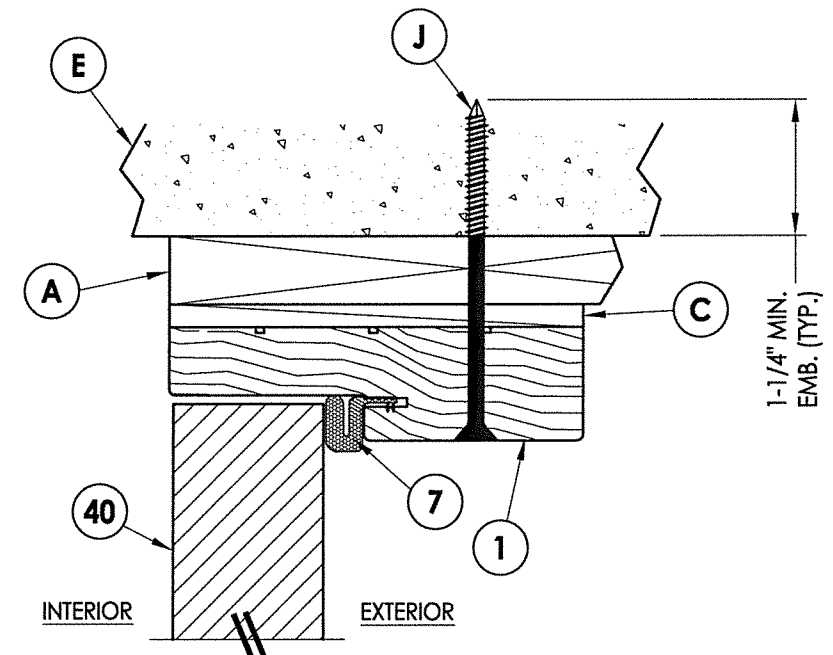
R:\Clients\DoorScapes\A - Florida Product Approvals\FL-28832 (Steel Door)\C - Drawings\FL-28832 (2020)\FL28832.1-2.dwg, 6.1



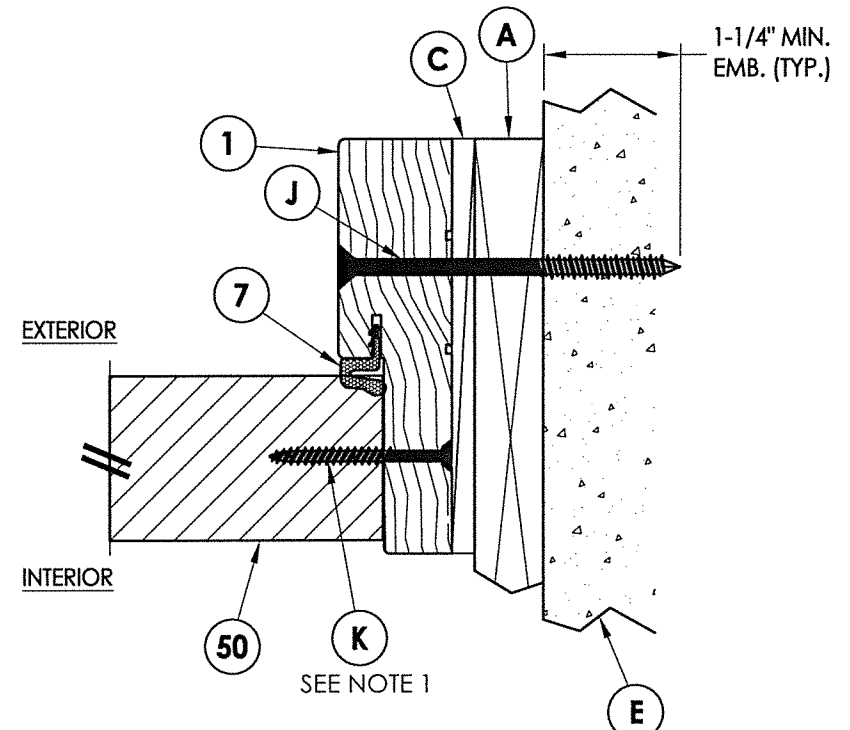
**1** HORIZONTAL CROSS SECTION  
**6** Inswing  
1X Buck Construction



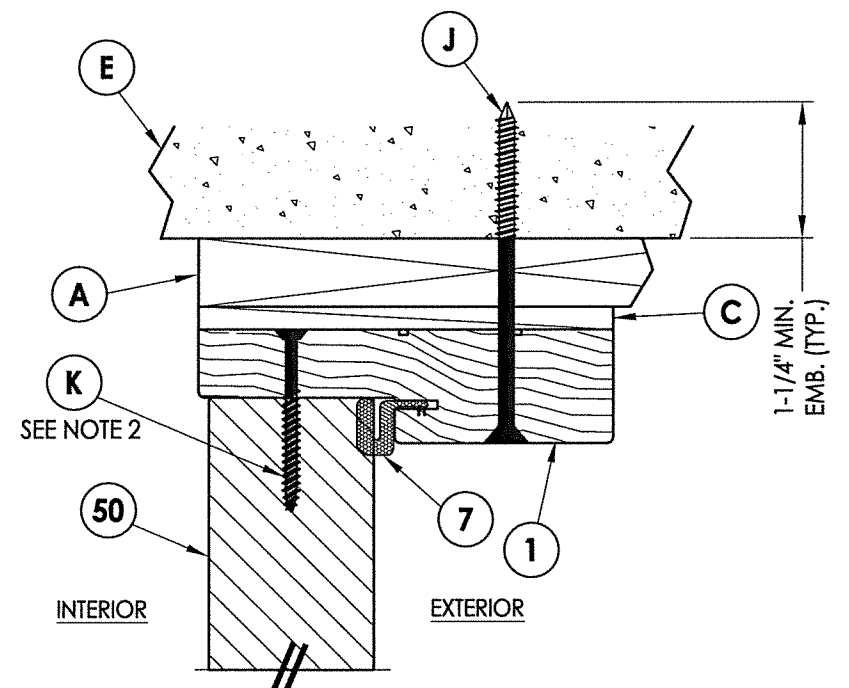
**2** HORIZONTAL CROSS SECTION  
**6** Inswing  
1X Buck Construction



**4** VERTICAL CROSS SECTION  
**6** Inswing  
1X Buck Construction

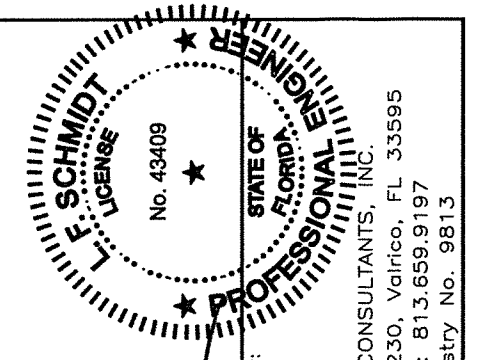


**3** HORIZONTAL CROSS SECTION  
**6** Inswing  
1X Buck Construction



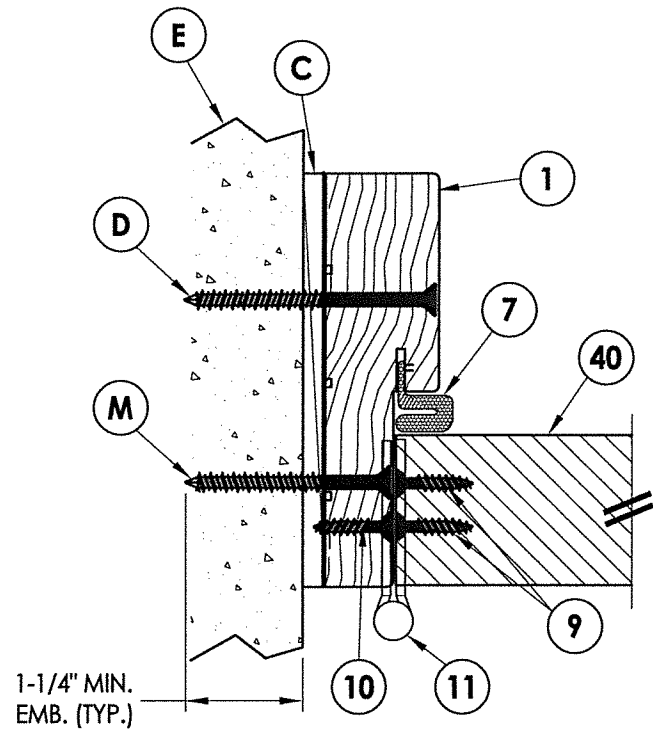
**5** VERTICAL CROSS SECTION  
**6** Inswing  
1X Buck Construction

- NOTES:**
- Sidelite attached @ 6" from each end plus 4 more screws equally spaced between (6 screws total per jamb).
  - Sidelite attached @ 3" from each end (2 screws total @ head).

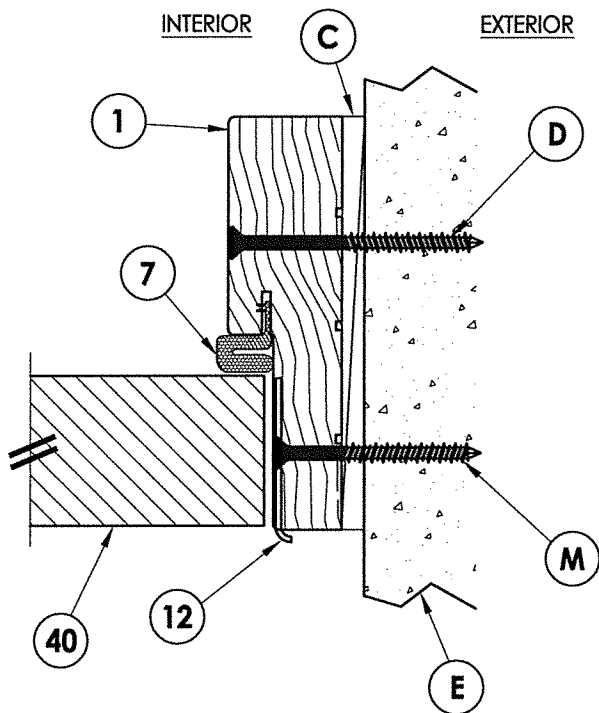


August 6, 2020  
 Documents Prepared By:  
 Lyndon F. Schmidt  
 P.E. No. 43409  
 R.W.  
 BUILDING CONSULTANTS, INC.  
 P.O. Box 230, Valrico, FL 33595  
 Phone No.: 813.659.9197  
 FBPE Registry No. 9813

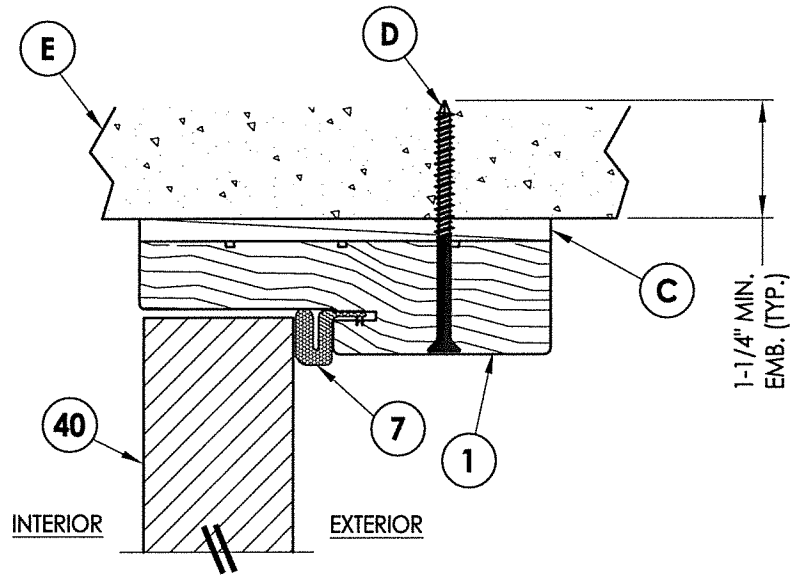
PRODUCT: DOORSCAPES STEEL DOOR	
PART OR ASSEMBLY: HORIZONTAL & VERTICAL CROSS SECTIONS (1X BUCK)	
NO.	DATE
1	8/06/20
UPDATE TO 7TH ED. (2020) FBC	
LFS	BY
REVISIONS	
DATE: 1/21/19	
SCALE: N.T.S.	
DWG. BY: MT	
CHK. BY: LFS	
DRAWING NO.: FL-28832.1	
SHEET 6 OF 12	



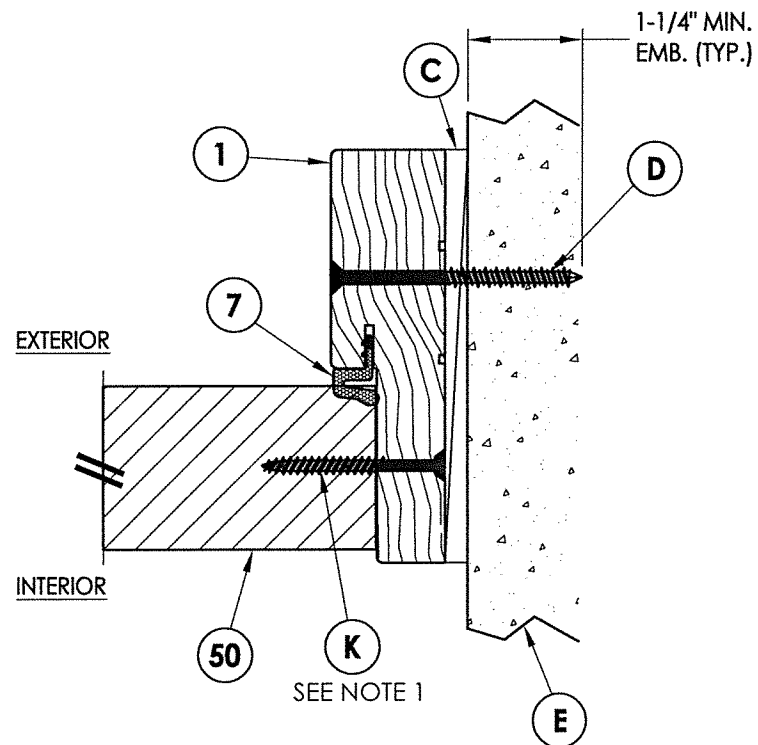
**1**  
**7** **HORIZONTAL CROSS SECTION**  
Inswing  
Shown Direct to Masonry



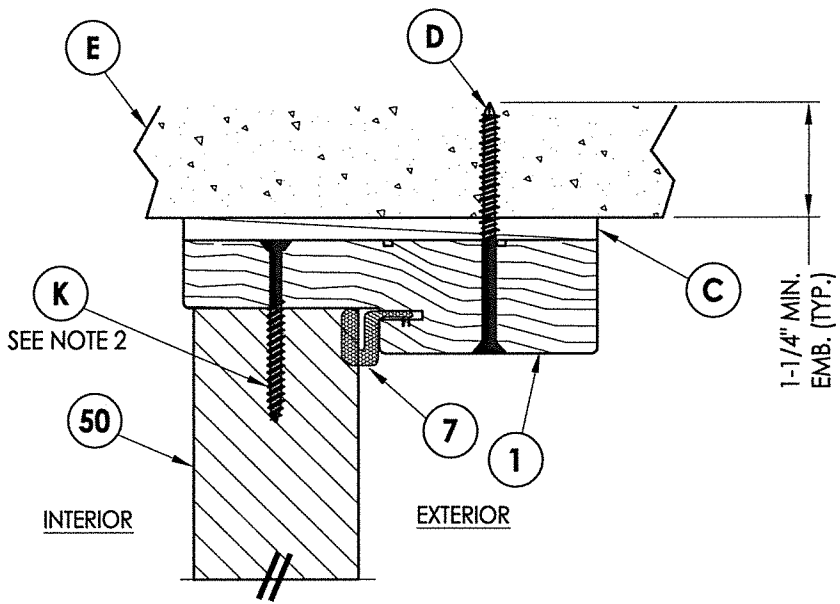
**2**  
**7** **HORIZONTAL CROSS SECTION**  
Inswing  
Shown Direct to Masonry



**4**  
**7** **VERTICAL CROSS SECTION**  
Inswing  
Shown Direct to Masonry

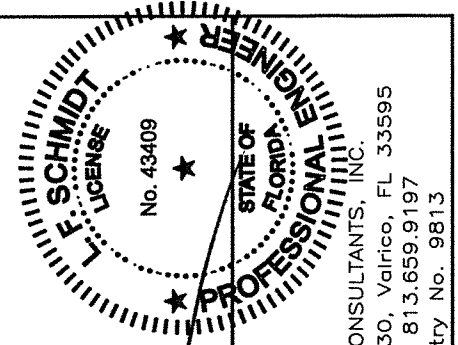


**3**  
**7** **HORIZONTAL CROSS SECTION**  
Inswing  
Shown Direct to Masonry



**5**  
**7** **VERTICAL CROSS SECTION**  
Inswing  
Shown Direct to Masonry

- NOTES:**
- Sidelite attached @ 6" from each end plus 4 more screws equally spaced between (6 screws total per jamb).
  - Sidelite attached @ 3" from each end (2 screws total @ head).

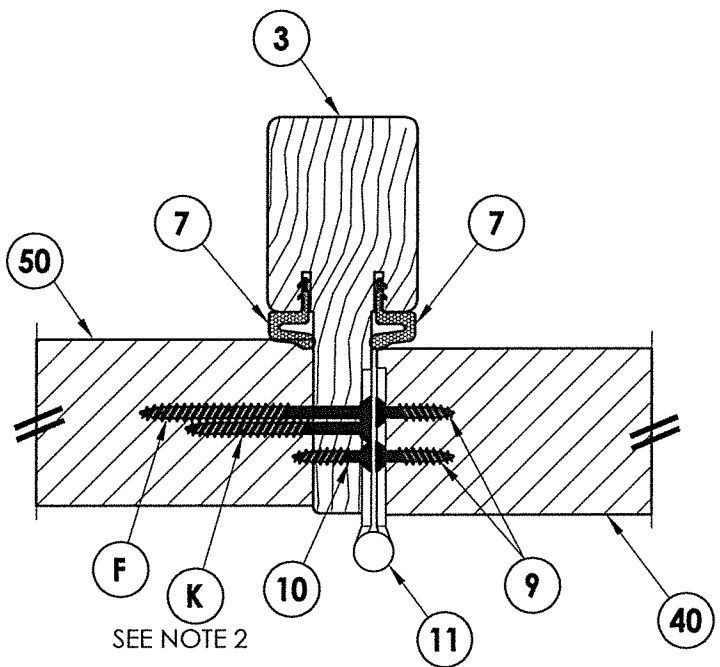


August 6, 2020  
 Documents Prepared By:  
 Lyndon F. Schmidt  
 P.E. No. 43409  
 BUILDING CONSULTANTS, INC.  
 P.O. Box 230, Vairico, FL 33595  
 Phone No.: 813.659.9197  
 FBPE Registry No. 9813

PRODUCT:	DOORSCAPES STEEL DOOR
PART OR ASSEMBLY:	HORIZONTAL & VERTICAL CROSS SECTIONS (DIRECT TO MASONRY)

NO.	DATE	BY	REVISIONS
1	8/06/20	LFS	UPDATE TO 7TH ED. (2020) FBC

DATE:	1/21/19
SCALE:	N.T.S.
DWG. BY:	MT
CHK. BY:	LFS
DRAWING NO.:	FL-28832.1
SHEET	7 of 12

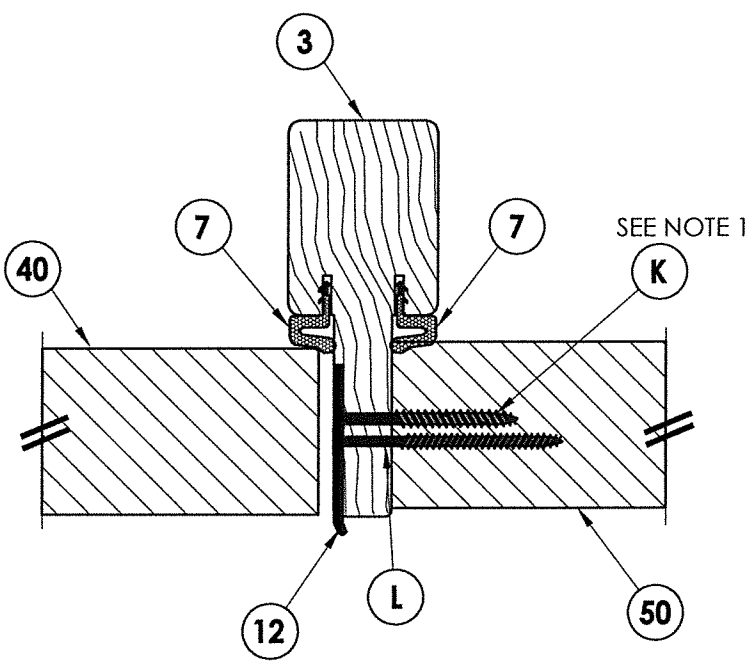


**1** HORIZONTAL CROSS SECTION  
**8** Inswing

EXTERIOR

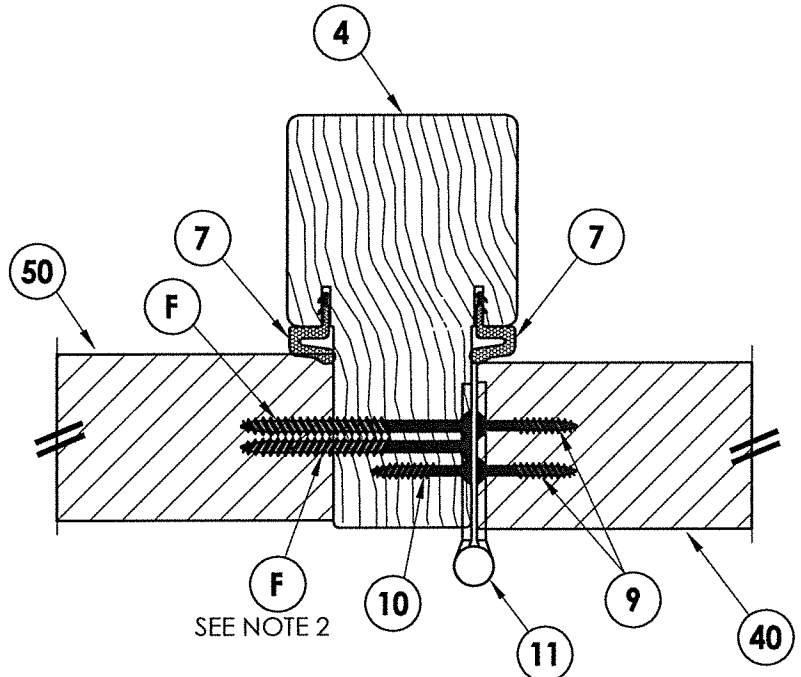
INTERIOR

SEE NOTE 2



**2** HORIZONTAL CROSS SECTION  
**8** Inswing

SEE NOTE 1

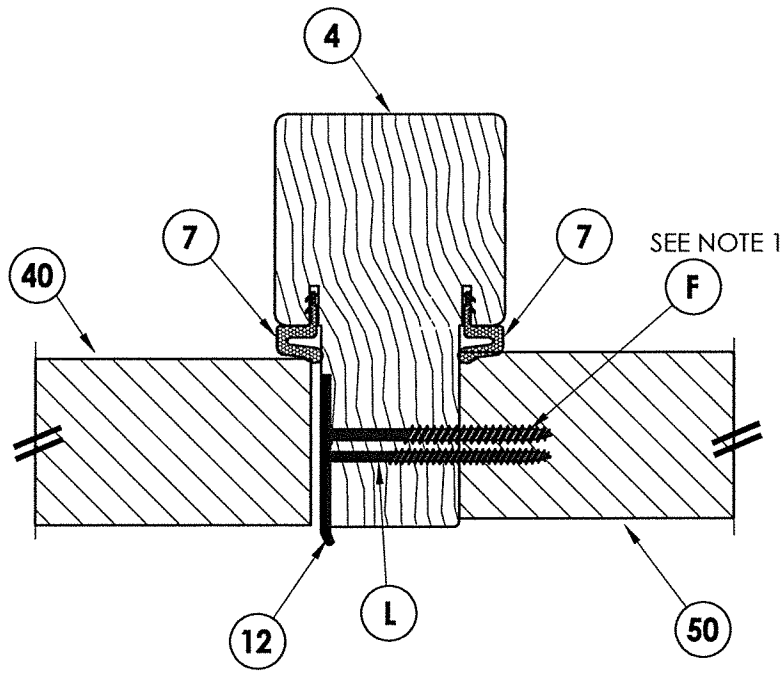


**3** HORIZONTAL CROSS SECTION  
**8** Inswing

EXTERIOR

INTERIOR

SEE NOTE 2

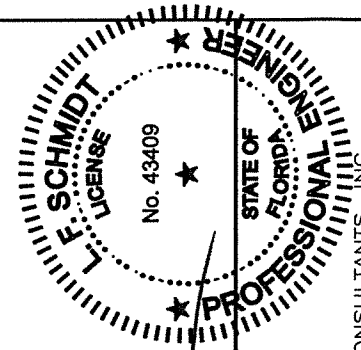


**4** HORIZONTAL CROSS SECTION  
**8** Inswing

SEE NOTE 1

**NOTES:**

- Sidelite attached @ 6" from each end plus 4 more screws equally spaced between (6 screws total per jamb).
- Sidelite attached w/ 1 screw equally spaced between each hinge (2 screws total per mullion).



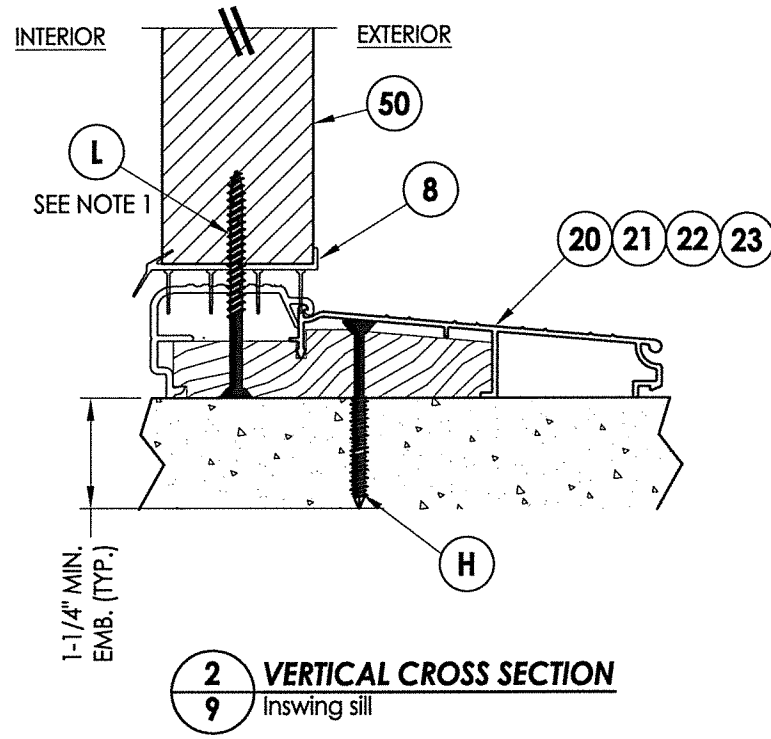
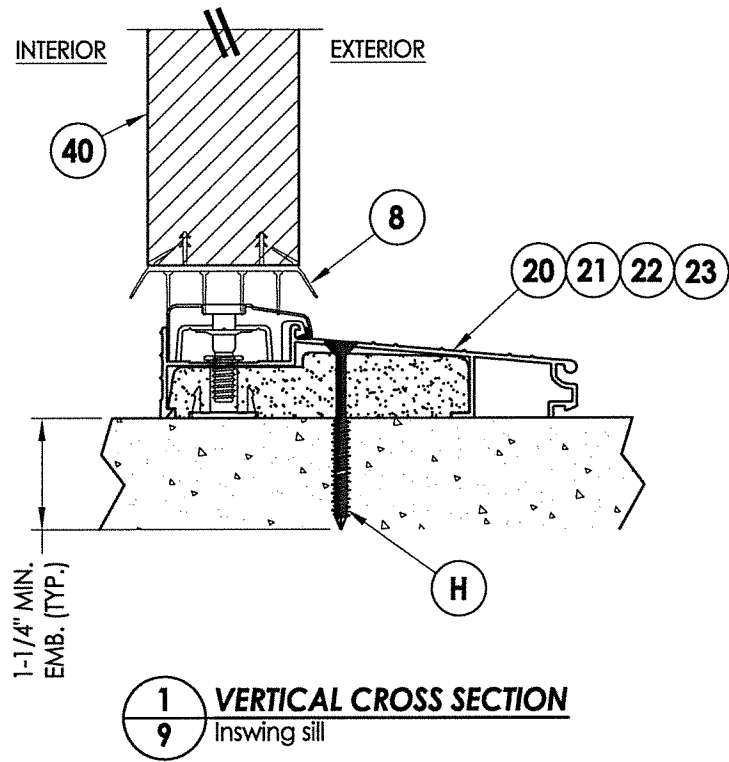
August 6, 2020  
 Documents Prepared By:  
 Lyndon F. Schmidt  
 P.E. No. 43409  
 BUILDING CONSULTANTS, INC.  
 P.O. Box 230, Valrico, FL 33595  
 Phone No.: 813.659.9197  
 FBPE Registry No. 9813

PRODUCT:	DOORSCAPES STEEL DOOR
PART OR ASSEMBLY:	HORIZONTAL CROSS SECTIONS

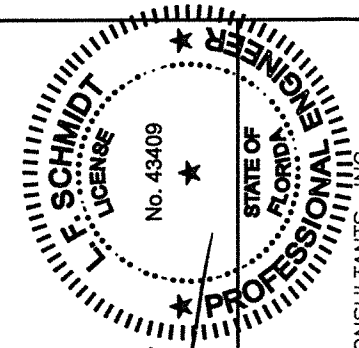
NO.	DATE	REVISIONS
1	8/06/20	UPDATE TO 7TH ED. (2020)
		FBC
		LFS
		BY

DATE:	1/21/19
SCALE:	N.T.S.
DWG. BY:	MT
CHK. BY:	LFS
DRAWING NO.:	FL-28832.1
SHEET	8 OF 12





NOTE:  
1. Sidelite attached @ 3" from each end (2 screws total @ sill).

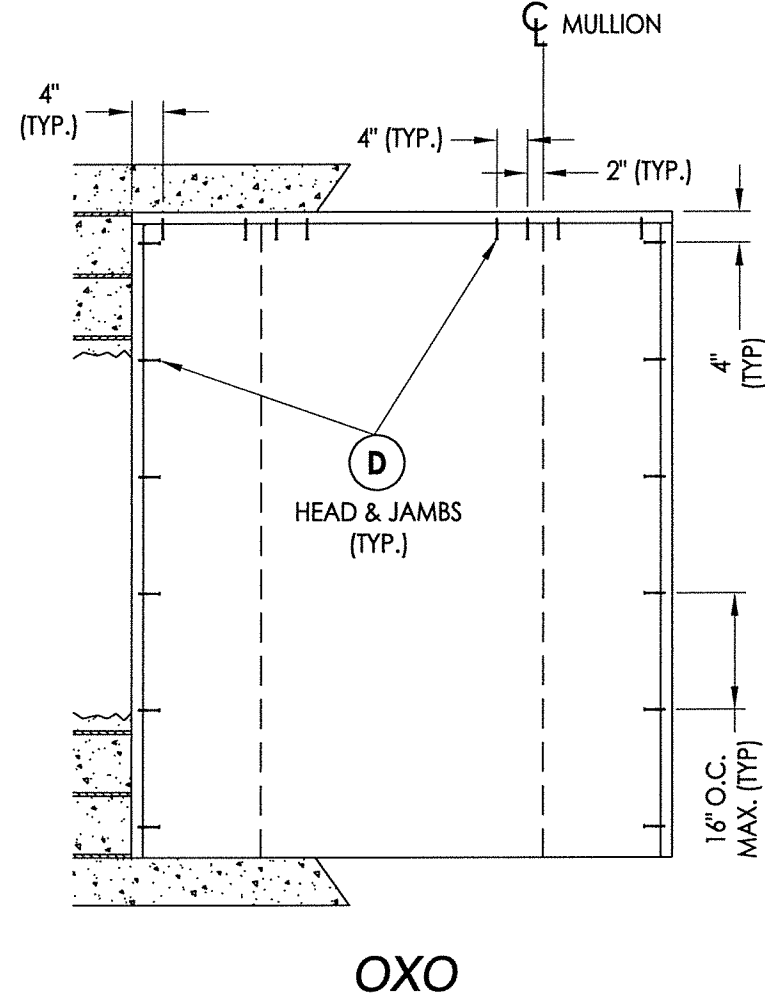
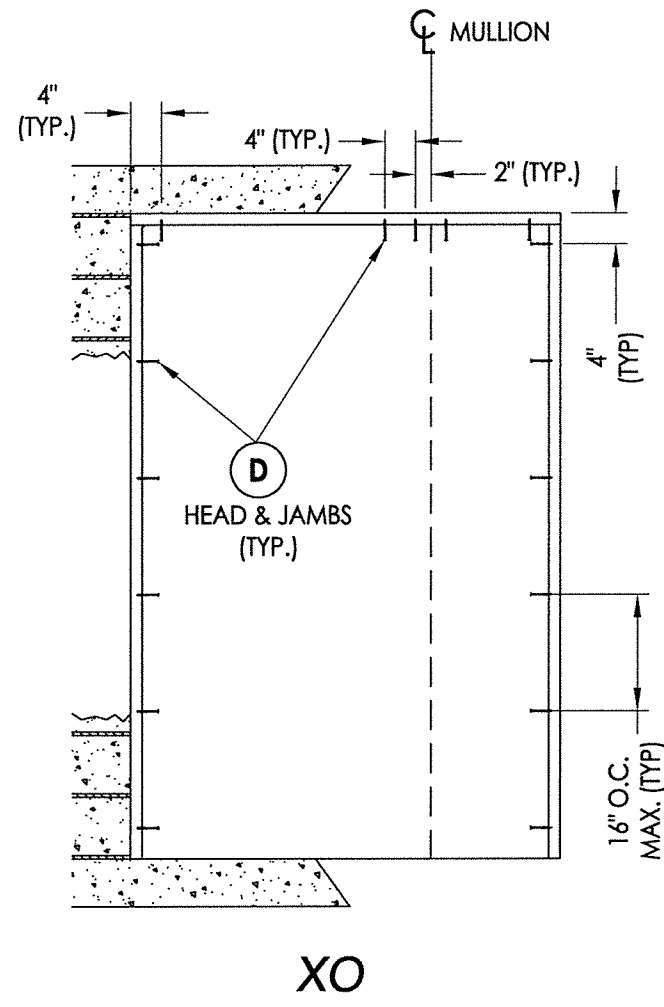
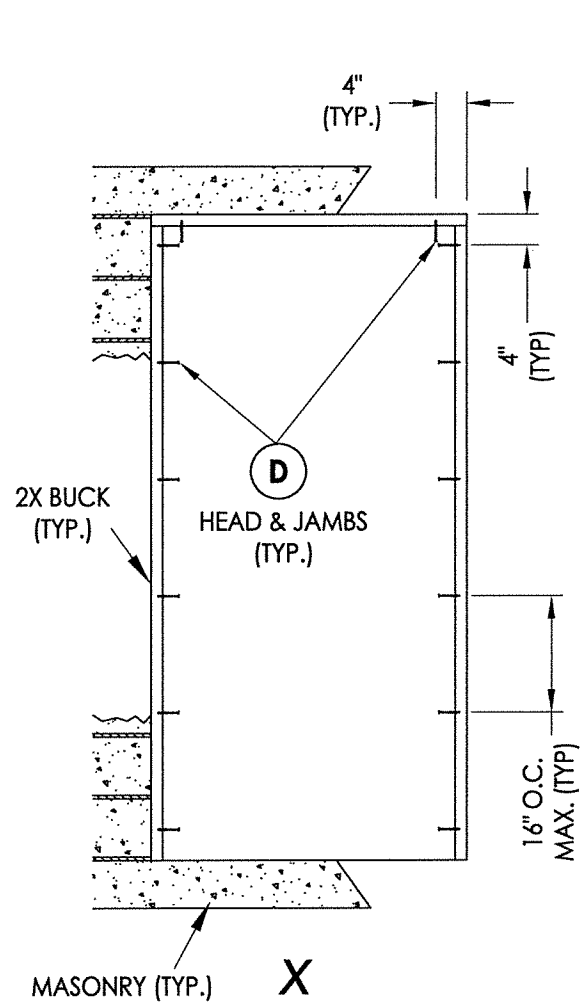


*Lyndon F. Schmidt*  
August 6, 2020

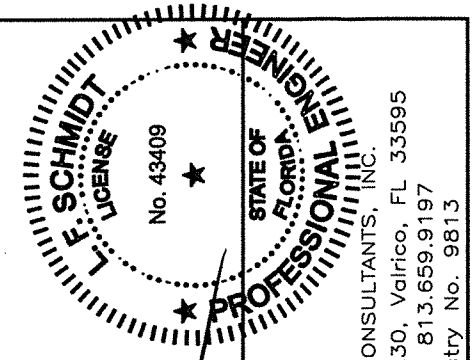
Documents Prepared By:  
Lyndon F. Schmidt  
P.E. No. 43409

*RW*  
BUILDING CONSULTANTS, INC.  
P.O. Box 230, Valrico, FL 33595  
Phone No.: 813.659.9197  
FBPE Registry No. 9813

PRODUCT:	DOORSCAPES STEEL DOOR	
PART OR ASSEMBLY:	VERTICAL CROSS SECTIONS	
NO.	DATE	BY
1	8/06/20	LFS
	UPDATE TO 7TH ED. (2020)	FBC
		BY
REVISIONS		
DATE:	1/21/19	
SCALE:	N.T.S.	
DWG. BY:	MT	
CHK. BY:	LFS	
DRAWING NO.:	FL-28832.1	
SHEET	9	OF 12



**2X BUCK ANCHORING**

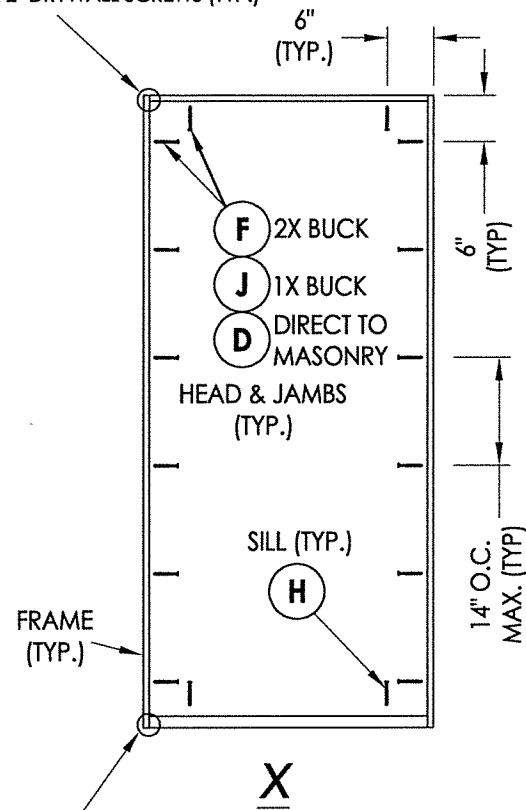


August 6, 2020  
 Documents Prepared By:  
 Lyndon F. Schmidt  
 P.E. No. 43409  
 R.W. BUILDING CONSULTANTS, INC.  
 P.O. Box 230, Valrico, FL 33595  
 Phone No.: 813.659.9197  
 FBPE Registry No. 9813

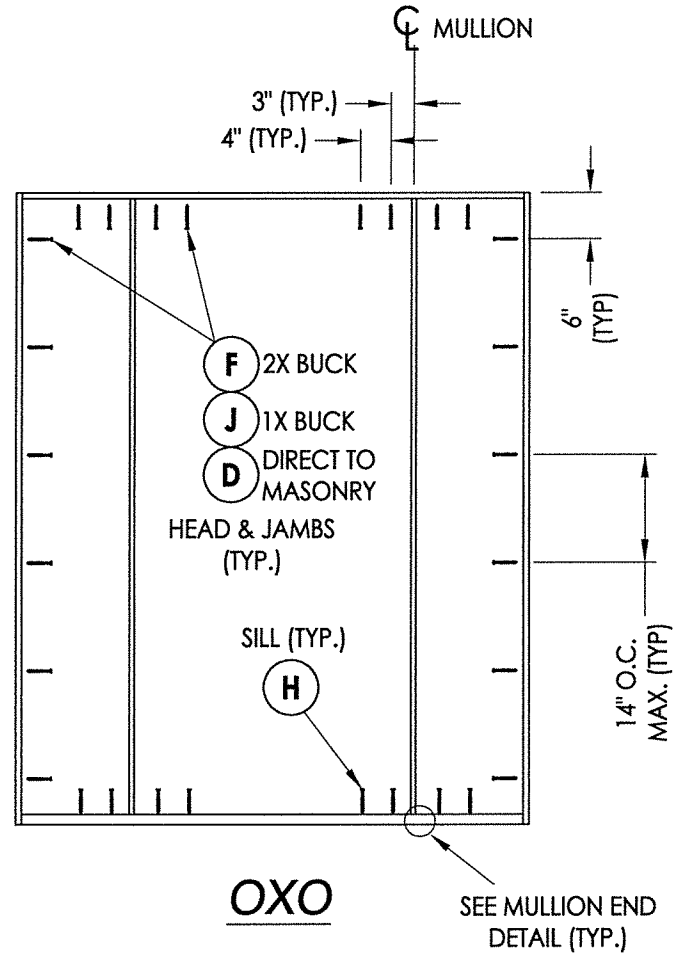
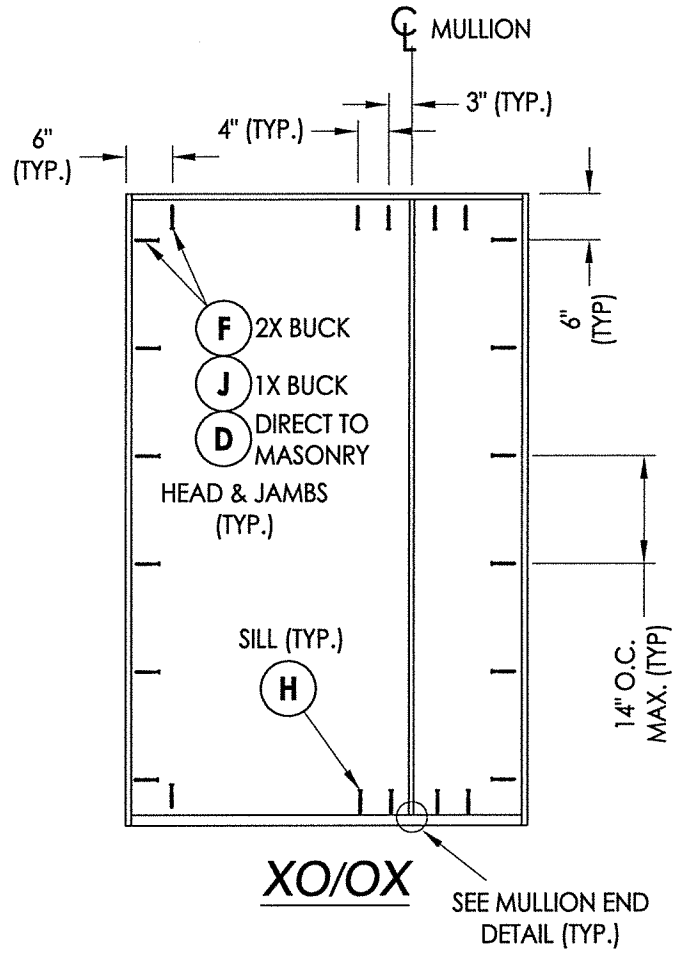
PRODUCT:		DOORSCAPES STEEL DOOR	
PART OR ASSEMBLY:		BUCK ANCHORING	
NO.	DATE	BY	REVISIONS
1	8/06/20	LFS	UPDATE TO 7TH ED. (2020) FBC
DATE: 1/21/19			
SCALE: N.T.S.			
DWG. BY: MT			
CHK. BY: LFS			
DRAWING NO.: FL-28832.1			
SHEET 10 OF 12			

R:\Clients\DoorScapes\VA - Florida Product Approvals\FL-28832 (Steel Door)\C - Drawings\FL-28832 (2020)\FL28832.1-2.dwg, 11.1

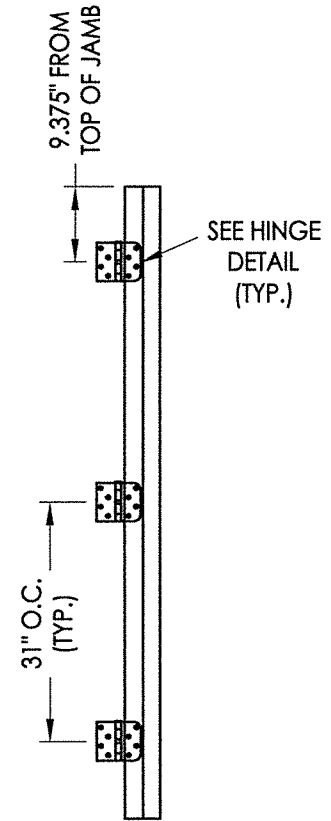
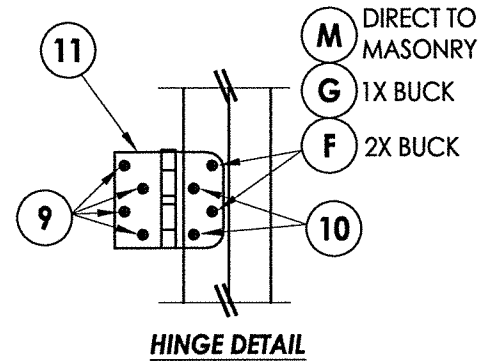
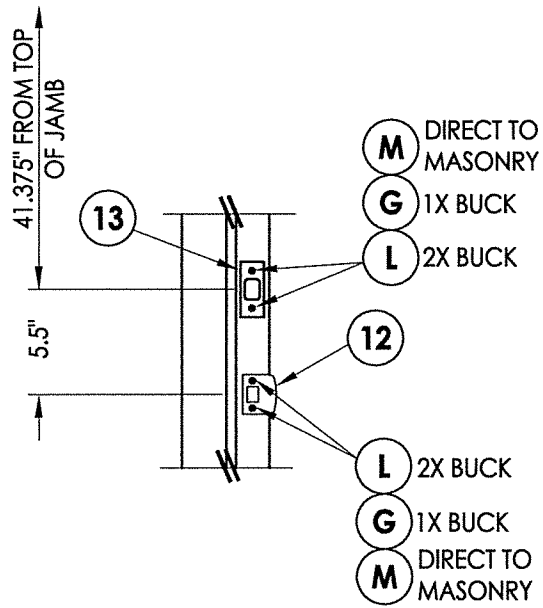
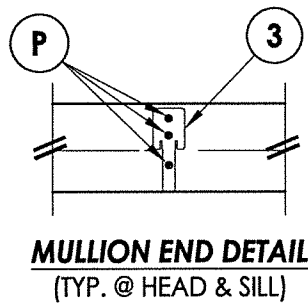
THE HEAD IS ATTACHED TO THE JAMB  
w/ (4) #7 X 2" DRYWALL SCREWS (TYP.)



THE THRESHOLD IS ATTACHED TO THE JAMB  
w/ (4) 7/16" X 2" STEEL CROWN STAPLES (TYP.)



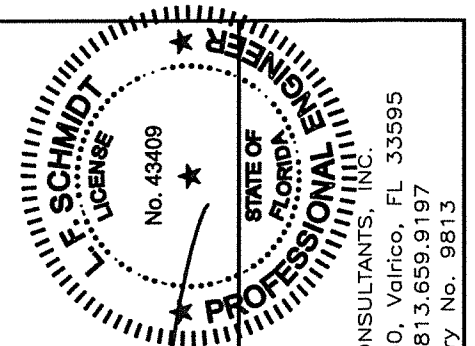
**FRAME ANCHORING**



**LATCH & DEADBOLT STRIKE DETAILS**

**HINGE DETAIL**

**HINGE JAMB**



August 6, 2020  
 Documents Prepared By:  
 Lyndon F. Schmidt  
 P.E. No. 43409  
 R.W. BUILDING CONSULTANTS, INC.  
 P.O. Box 230, Valrico, FL 33595  
 Phone No.: 813.659.9197  
 FBPE Registry No. 9813

PRODUCT:	DOORSCAPES STEEL DOOR		
PART OR ASSEMBLY:	FRAME ANCHORING & HARDWARE DETAILS		
NO.	DATE	BY	REVISIONS
1	8/06/20	UPDATE TO 7TH ED. (2020)	FBC LFS
DATE: 1/21/19			
SCALE: N.T.S.			
DWG. BY: MT			
CHK. BY: LFS			
DRAWING NO.: FL-28832.1			
SHEET 11 OF 12			

**BILL OF MATERIALS**

ITEM #	DESCRIPTION	MATERIAL
A	1X BUCK (G >= 0.42)	WOOD
B	2X BUCK (G >= 0.42)	WOOD
C	1/4" MAX. SHIM SPACE	-
D	1/4" X 2-3/4" PFH DeWALT OR ITW CONCRETE SCREW	STEEL
E	MASONRY - 3,000 PSI MIN. CONCRETE CONFORMING TO ACI 301 OR HOLLOW BLOCK CONFORMING TO ASTM C90	CONCRETE
F	#10 X 2-1/2" PFH WOOD SCREW (1.15" MIN. EMBEDMENT)	STEEL
G	3/16" X 3-1/4" PFH ITW CONCRETE SCREW	STEEL
H	1/4" X 2-1/4" PFH DeWALT OR ITW CONCRETE SCREW	STEEL
J	1/4" X 3-3/4" PFH DeWALT OR ITW CONCRETE SCREW	STEEL
K	#10 X 2" PFH WOOD SCREW	STEEL
L	#8 X 2-1/2" PFH WOOD SCREW	STEEL
M	3/16" X 2-1/4" PFH ITW CONCRETE SCREW	STEEL
P	#7 X 2-1/2" DRYWALL SCREW	STEEL
1	FINGER JOINT PINE JAMB (G >= 0.42)	WOOD
3	INTEGRAL MULLION - 1.625" WIDE (PINE, G >= 0.42)	WOOD
4	INTEGRAL MULLION - 2.5" WIDE (PINE, G >= 0.42)	WOOD
7	WEATHERSTRIP	FOAM
8	DOOR/SIDELITE BOTTOM SWEEP	VINYL
9	#9 X 1" PFH WOOD SCREW	STEEL
10	#10 X 3/4" PFH WOOD SCREW	STEEL
11	4" X 4" BUTT HINGE	STEEL
12	LATCH STRIKE PLATE	STEEL
13	DEADBOLT STRIKE PLATE	STEEL
20	INSWING THRESHOLD (AFCO A-125)	ALUM/WOOD
21	INSWING THRESHOLD (AFCO A-125)	ALUM/COMP
22	INSWING THRESHOLD (AFCO A-276)	ALUM/WOOD
23	INSWING THRESHOLD (AFCO A-280)	ALUM/WOOD
40	DOOR PANEL - SEE DOOR PANEL DETAIL SHEET FOR DETAILS	-
50	SIDELITE PANEL - SEE SIDELITE PANEL DETAIL SHEET FOR DETAILS	-

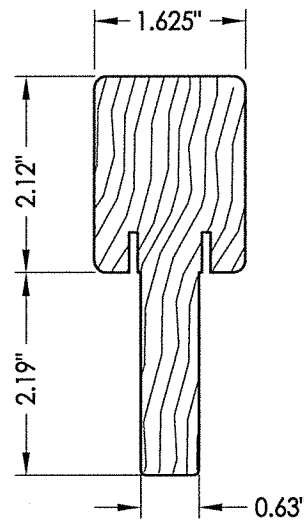
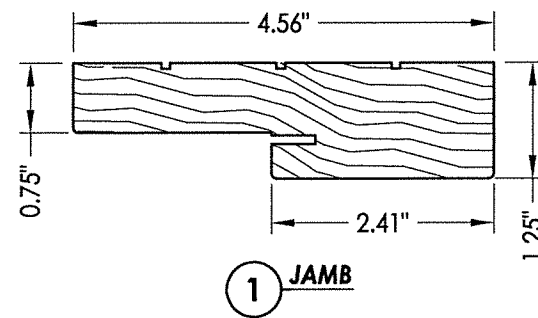
**CONCRETE ANCHOR NOTES:**

- Concrete anchor locations at the corners may be adjusted to maintain the min. edge distance to mortar joints.
- Concrete anchor locations noted as "MAX. ON CENTER" must be adjusted to maintain the min. edge distance to mortar joints, additional concrete anchors may be required to ensure the "MAX. ON CENTER" dimension are not exceeded.
- Concrete anchor table:

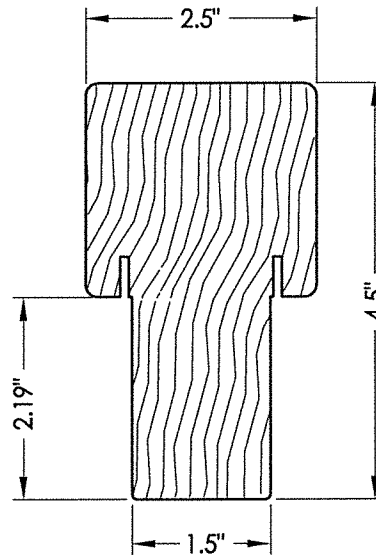
ANCHOR TYPE	ANCHOR SIZE	MIN. EMBEDMENT	MIN. CLEARANCE TO MASONRY EDGE	MIN. CLEARANCE TO ADJACENT ANCHOR
ITW BUILDDEX TAPCON®	3/16"	1-1/4"	3"	1-1/2"
	1/4"	1-1/4"	2"	4"
DeWALT ULTRACON®	1/4"	1-1/4"	1"	4"

**WOOD SCREW INSTALLATION NOTES:**

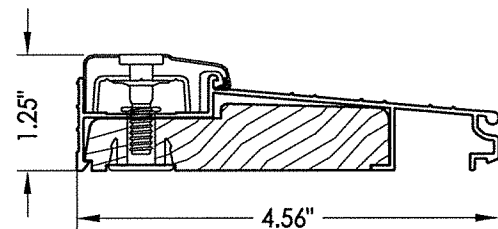
- Maintain a minimum 5/8" edge distance, 1" end distance, & 1" o.c. spacing of wood screws to prevent the splitting of wood.



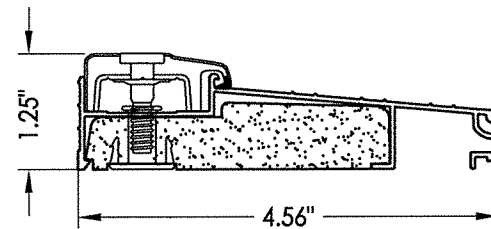
**3 INTEGRAL MULLION**  
1.625" WIDTH



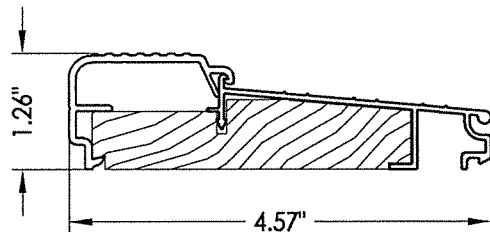
**4 INTEGRAL MULLION**  
2.5" WIDTH



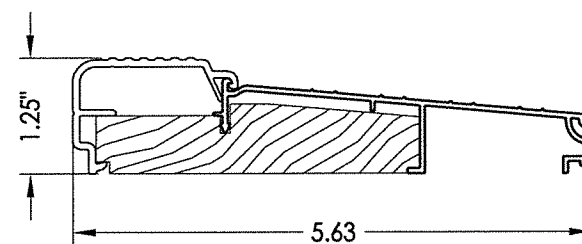
**20 INSWING ADJUSTABLE THRESHOLD**



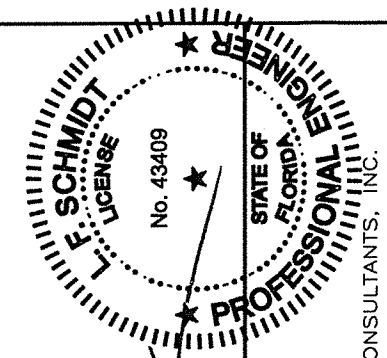
**21 INSWING ADJUSTABLE THRESHOLD**



**22 INSWING FIXED THRESHOLD**



**23 INSWING FIXED THRESHOLD**



August 6, 2020

Documents Prepared By:  
Lyndon F. Schmidt  
P.E. No. 43409

R.W. BUILDING CONSULTANTS, INC.  
P.O. Box 230, Valrico, FL 33595  
Phone No.: 813.659.9197  
FBPE Registry No. 9813

PRODUCT: DOORSCAPES  
STEEL DOOR

PART OR ASSEMBLY:  
BILL OF MATERIALS  
& COMPONENTS

NO.	DATE	REVISIONS
1	8/06/20	UPDATE TO 7TH ED. (2020) FBC
		LFS
		BY

DATE: 1/21/19  
SCALE: N.T.S.  
DWG. BY: MT  
CHK. BY: LFS  
DRAWING NO.: FL-28832.1  
SHEET 12 OF 12